

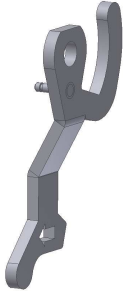


Law Enforcement Vehicle Trunk Lockbox

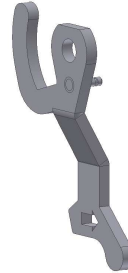
ITEM # - 253,278 CBLC Installation

See TuffyProducts.com for all vehicle applications and related products
Please read and fill out the enclosed warranty registration card to activate your warranty.

PARTS CHECKLIST

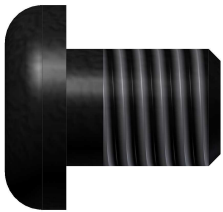


#1.0 – RIGHT HAND CABLE SECURITY LEVER (QTY. 1)

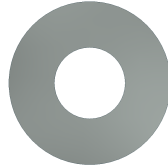


#2.0 – LEFT HAND CABLE SECURITY LEVER (QTY. 1)

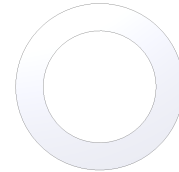
SHIPPING PACKAGE CHECKLIST



#15.4 - (2) 3/8-16 x 1/2" SOCKET HEAD BOLT



#15.3 - (2) 3/8" WIDE WASHERS



#15.2 - (4) 3/8" NARROW WASHERS



#15.11 - (2) 3/8" WAVY WASHER



#15.1 - (2) SPRINGS

TOOLS NEEDED

- 7/32" Allen (socket) wrench or driver

ASSEMBLY INSTRUCTIONS:

PLEASE READ ALL INSTRUCTIONS THOROUGHLY BEFORE STARTING INSTALLATION.

1. IMPORTANT! If installing into a #253/#278 within a vehicle, make sure the vehicle is parked on a flat surface, placed in park, and the emergency brake is activated.
2. Install the #1.0 Right Hand Cable Security Lever into the #253 or #278 Trunk Lockbox by fastening (1) #15.11 Wavy washer, (2) #15.2 washers, (1) #15.3 Wide washer, and (1) #15.4 socket head screw onto the raised pre-installed raised weld nut located inside the #253/#278 Trunk Lockbox. Assemble the various washers exactly as shown in Detail A of Figure 1.
3. Repeat the installation on the opposite side using the #2.0 Left Hand Cable Security Lever. The washers should be installed in the identical sequence as shown in Detail A of Figure 1.
4. Install the #15.1 Spring between the hole in the #253/#278 Body bracket and the pin on the #1.0 Cable Security Lever. Repeat spring installation on the left hand side for the #2.0 Cable Security Lever.

- Rotate each lever to the fully open position and release. Lever should easily rotate back to the home position without interference.

FIGURE 1

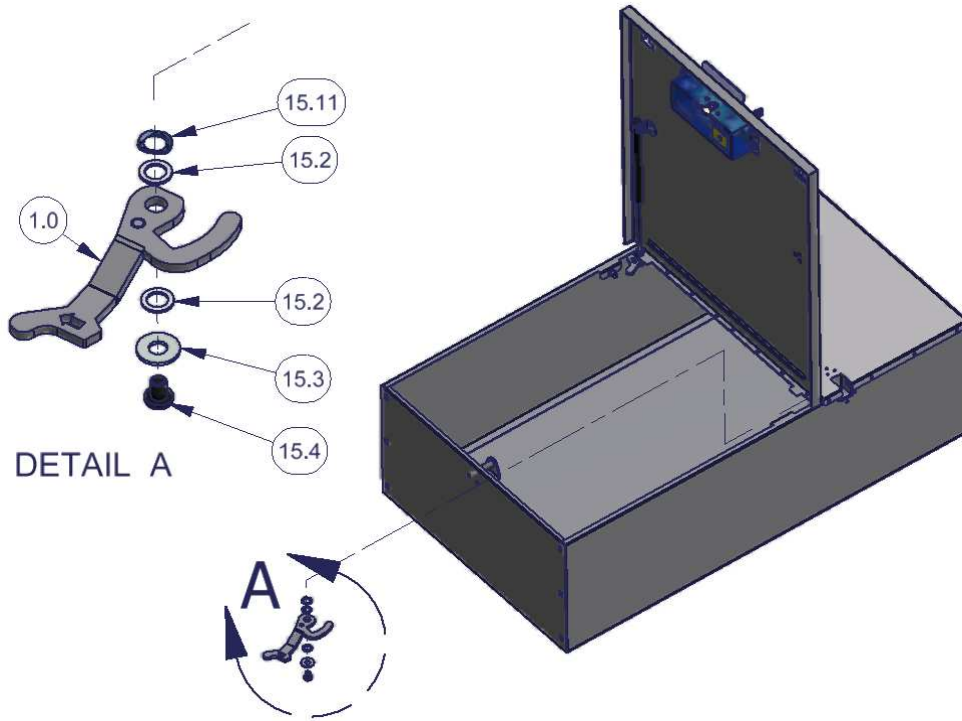
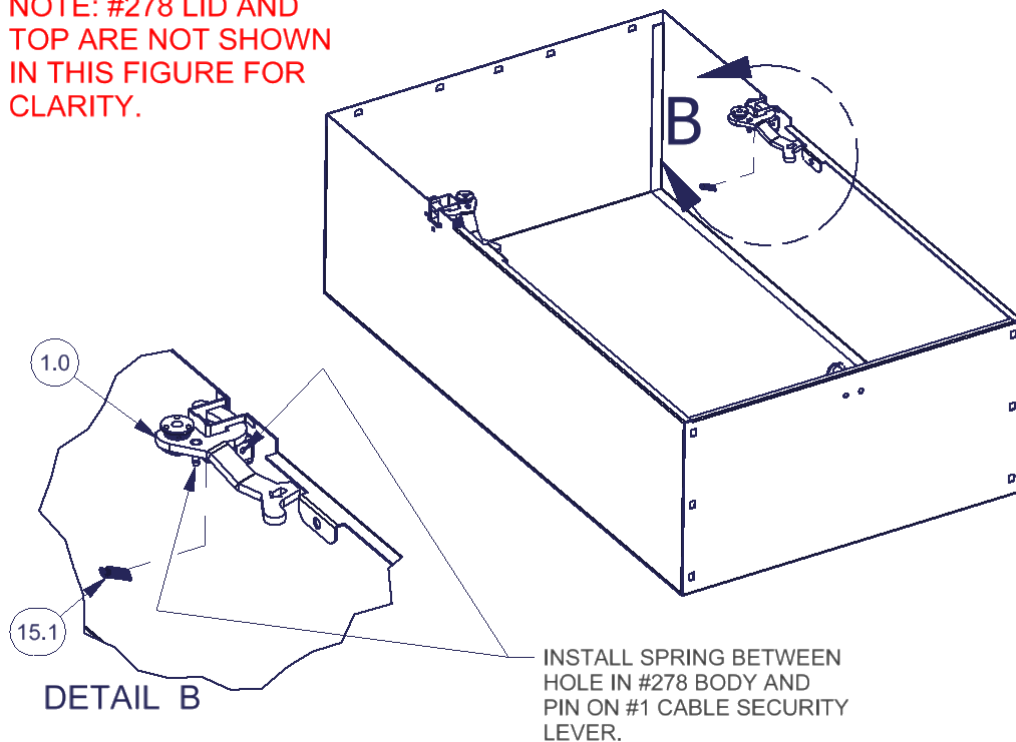


FIGURE 2

NOTE: #278 LID AND TOP ARE NOT SHOWN IN THIS FIGURE FOR CLARITY.



Call (970) 564-1762 for Technical Support